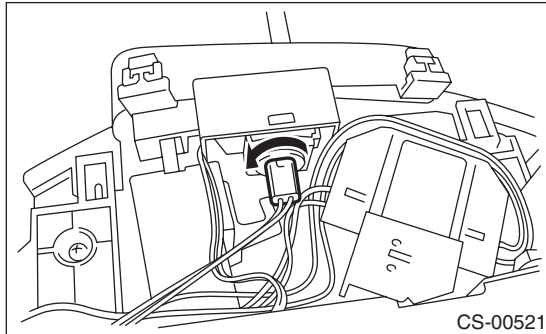


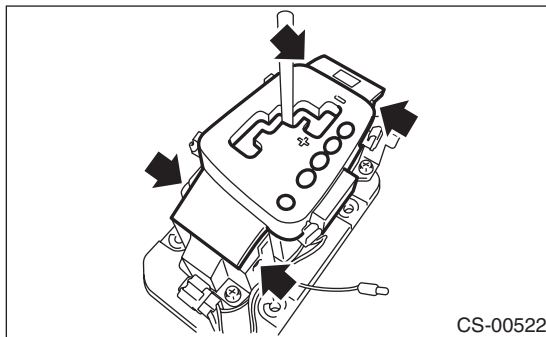
## 6. AT Shift Lock Solenoid and "P" Range Switch

### A: REMOVAL

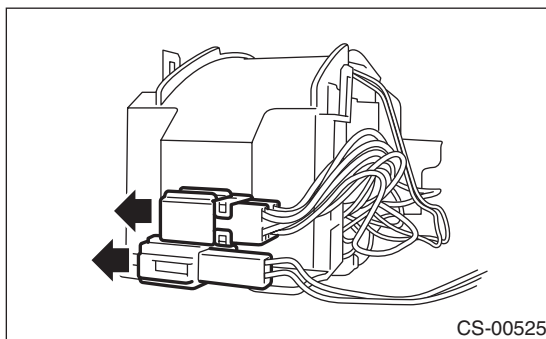
- 1) Remove the console box. <Ref. to EI-51, REMOVAL, Console Box.>
- 2) Disconnect the connector.
- 3) Remove the indicator bulb.



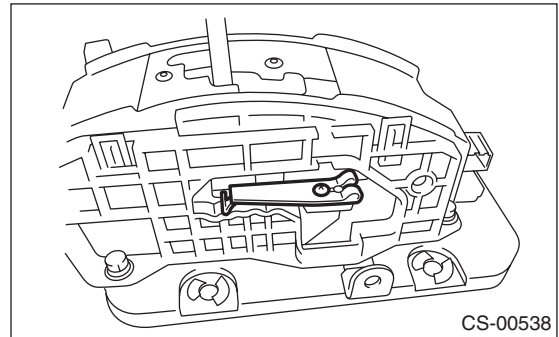
- 4) Remove the grip.
- 5) Remove the indicator cover.



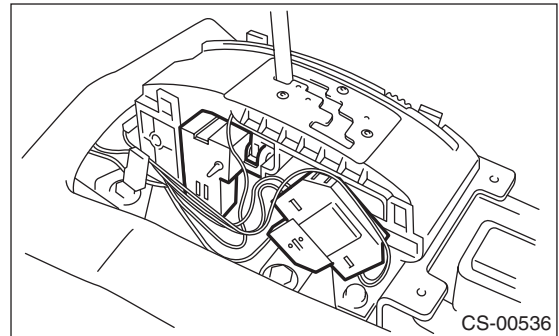
- 6) Disconnect the connector from the guide plate upper.



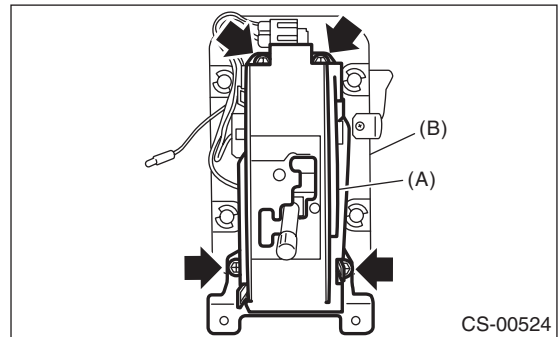
- 7) Shift the select lever to the N range, and then remove the detent spring.



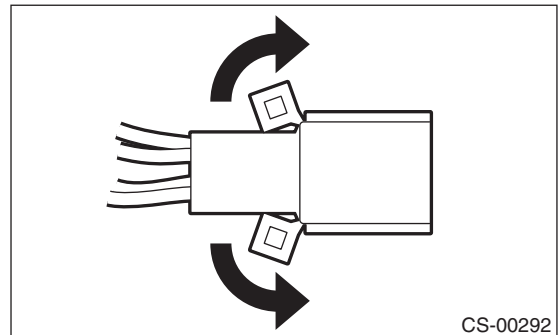
- 8) Remove the switch assembly and shift lock solenoid assembly.



- 9) Remove the bolt to remove the guide plate upper (A) from the plate lower (B).



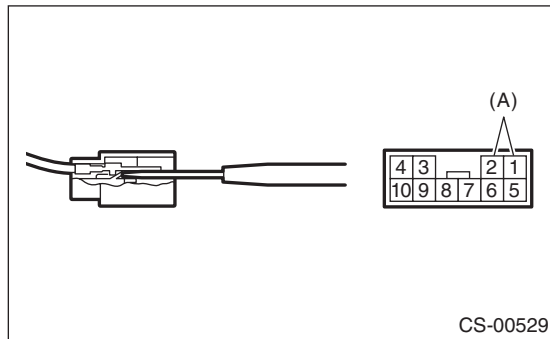
- 10) Raise the claw of the connector.



# AT Shift Lock Solenoid and “P” Range Switch

## CONTROL SYSTEMS

11) Disconnect the terminal of the “P” range switch from connector, using a flat-tip screwdriver with a thin tip.



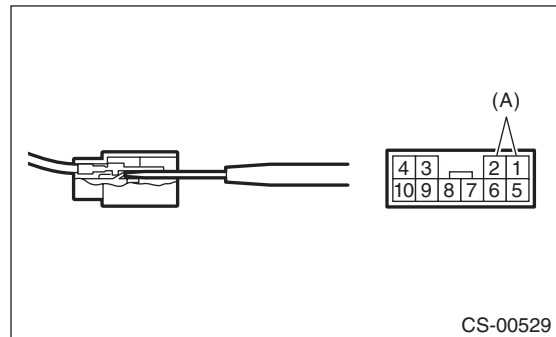
(A) “P” range switch

## B: INSTALLATION

Install in the reverse order of removal.

### NOTE:

- Refer to “COMPONENT” for each tightening torque. <Ref. to CS-3, AT SELECT LEVER, COMPONENT, General Description.>
- Connect the “P” range switch terminal to connector.



(A) “P” range switch

## C: INSPECTION

Step	Check	Yes	No
<b>1 CHECK SHIFT LOCK SOLENOID.</b> Measure the resistance of shift lock solenoid connector terminals. <i>Terminals</i> <b>No. 4 — No. 3:</b>	Is the resistance between 12 — 18 Ω?	Go to step 2.	Replace the shift lock solenoid.
<b>2 CHECK SHIFT LOCK SOLENOID.</b> Connect the battery to shift lock solenoid connector terminal, and then operate the solenoid. <i>Terminals</i> <b>No. 3 (+) — No. 4 (-):</b>	Does the shift lock solenoid operate normally?	Go to step 3.	Replace the shift lock solenoid.
<b>3 CHECK “P” RANGE SWITCH.</b> 1) Move the select lever to “P” range. 2) Measure the resistance between “P” range switch connector terminals. <i>Terminals</i> <b>No. 1 — No. 2:</b>	Is the resistance less than 1 Ω?	Go to step 4.	Replace the “P” range switch.
<b>4 CHECK “P” RANGE SWITCH.</b> 1) Set the select lever to other than “P” range. 2) Measure the resistance between “P” range switch connector terminals. <i>Terminals</i> <b>No. 1 — No. 2:</b>	Is the resistance 1 MΩ or more?	Normal operation	Replace the “P” range switch.